

**Hinckley Lake Dam Modifications  
Medina County, OH**

March 2018

**Preliminary Design Report**



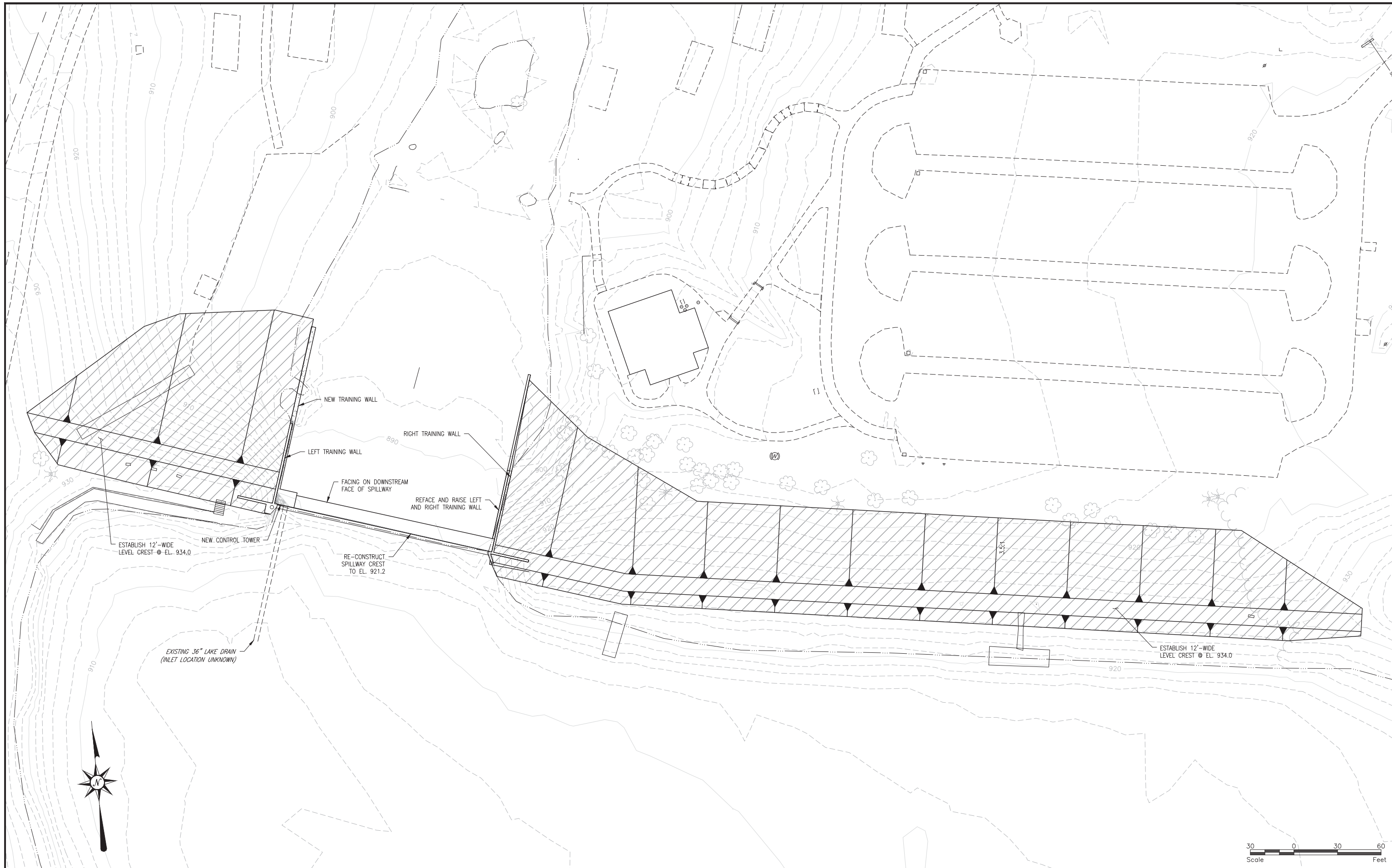
*Prepared for:*



*Prepared by:*

**Michael Baker**  
INTERNATIONAL

**Michael Baker  
International, Inc.**



**Michael Baker**  
INTERNATIONAL

Michael Baker International, Inc.  
1111 Superior Avenue  
Suite 2300  
Cleveland, OH 44114



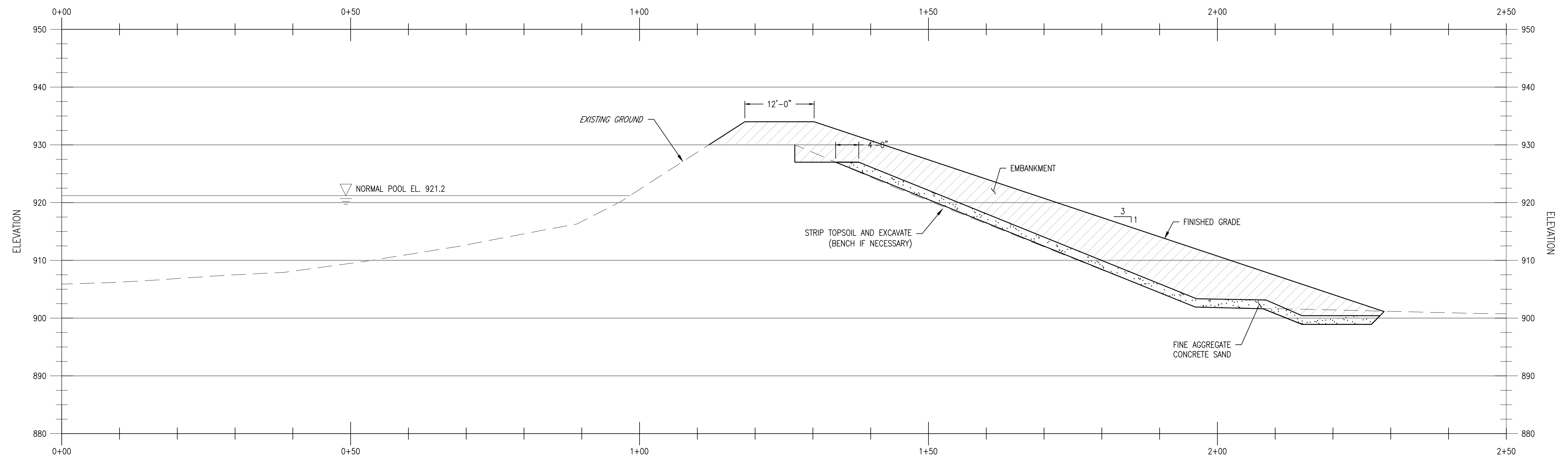
Cleveland Metroparks  
4101 Fulton Parkway  
Cleveland, OH 44144

HINCKLEY RESERVATION  
HINCKLEY LAKE DAM IMPROVEMENTS  
MEDINA COUNTY, OHIO

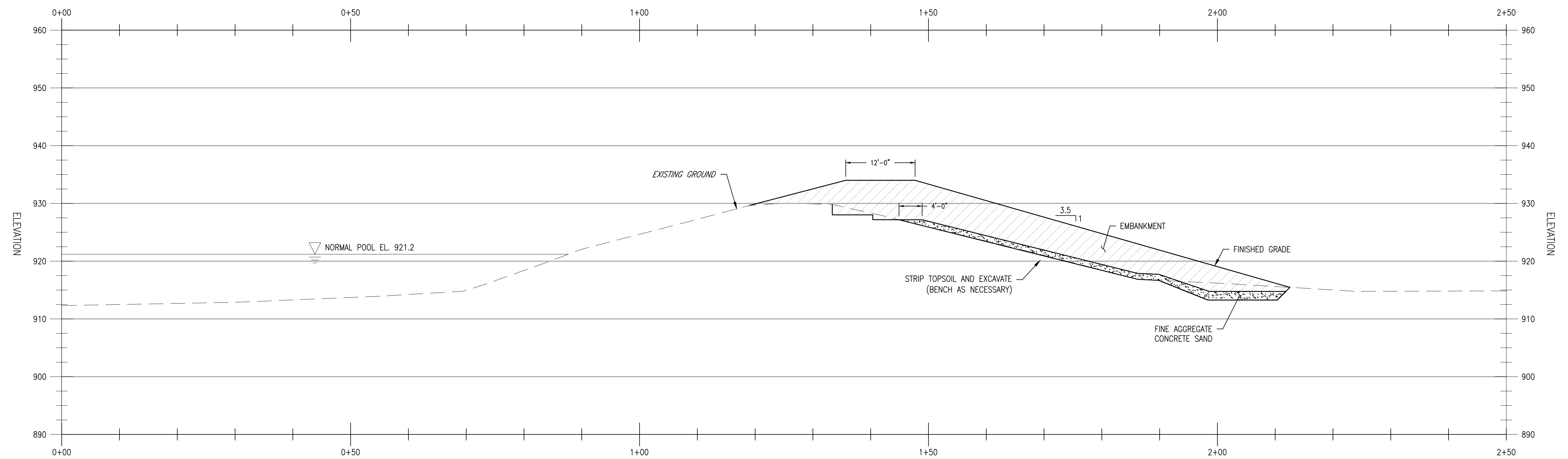
DESIGNED BY: XXX  
DRAWN BY: XXX  
CHECKED BY: XXX  
APPROVED BY: XXX

JOB NUMBER: 161638  
SCALE: AS SHOWN  
DATE: 12/22/2017  
REVISED:

ALTERNATE D - RAISE LEFT &  
RIGHT EMBANKMENT

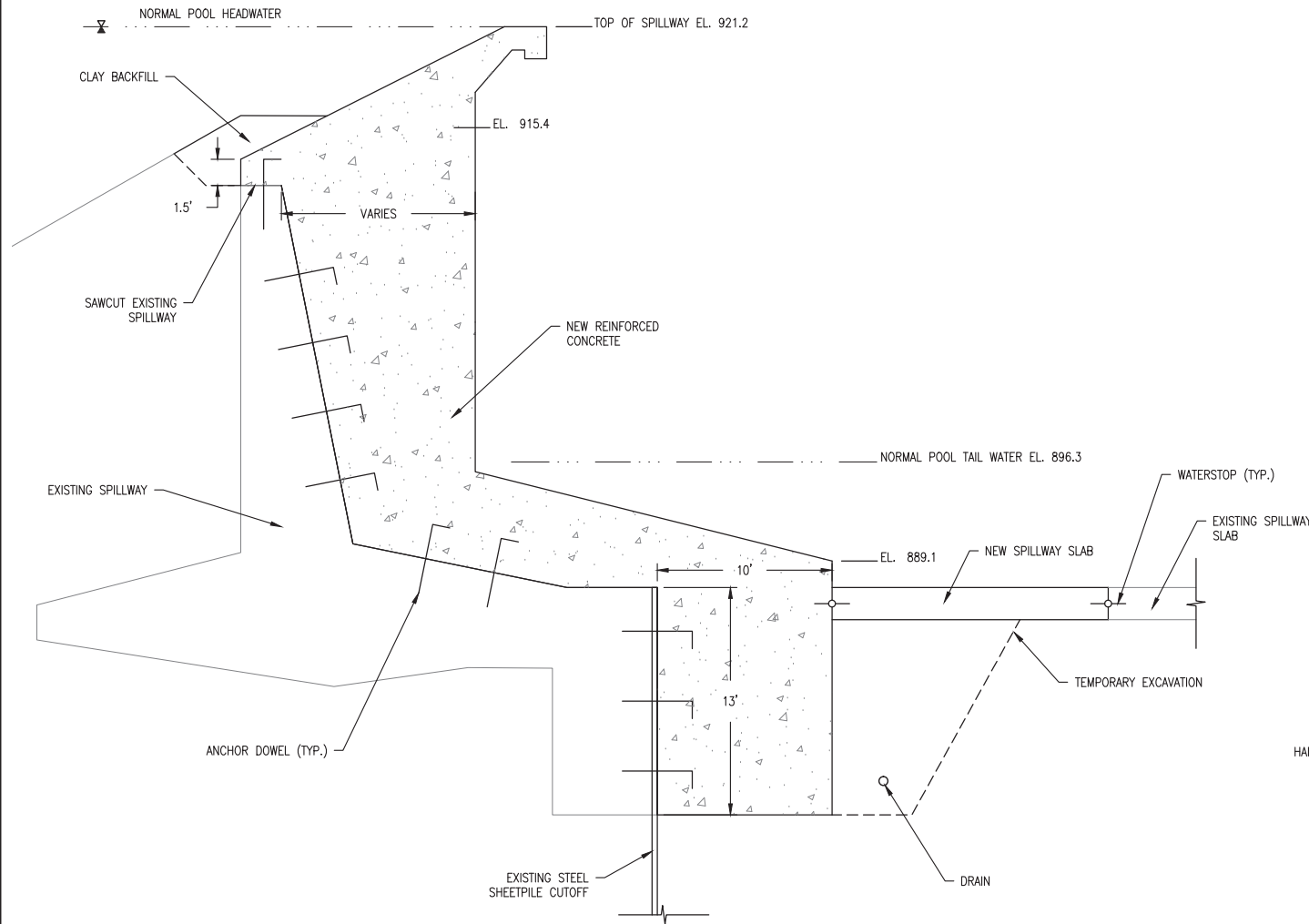


TYPICAL SECTION – RAISE LEFT EMBANKMENT  
(ALTERNATE D)  
N.T.S.

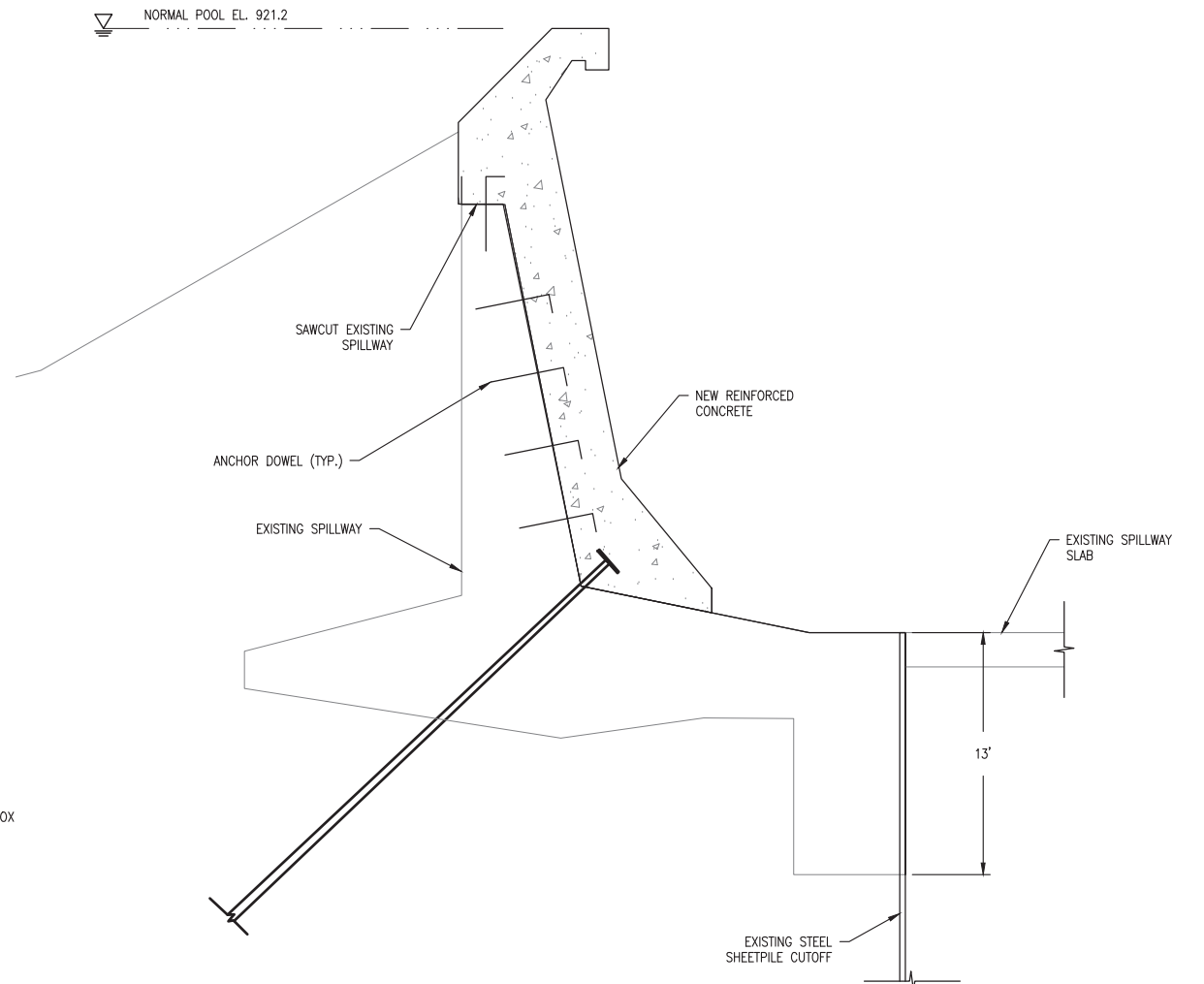


TYPICAL SECTION – RAISE RIGHT EMBANKMENT  
(ALTERNATES B, C, & D)  
N.T.S.

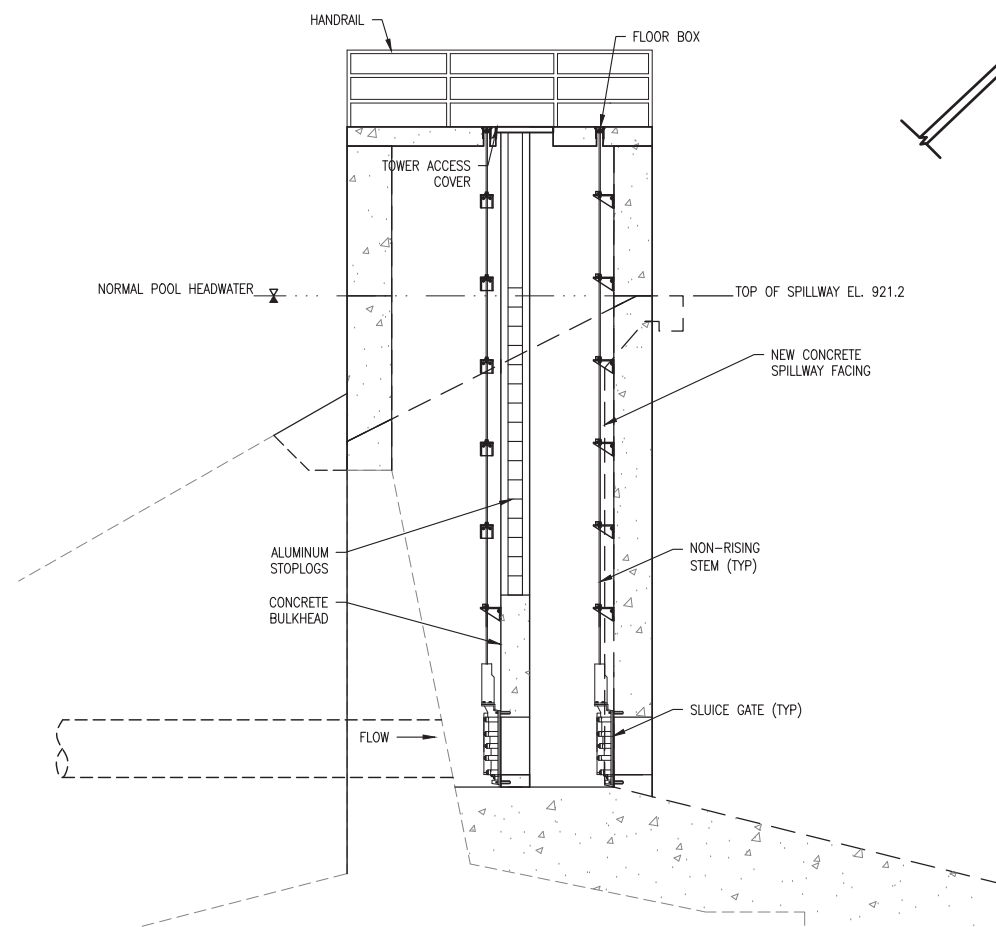
Note: A 6" slotted collector drain is anticipated for this project (currently not shown). The collector drain will be located near the downstream toe and will be surrounded with natural no. 8 stone and sand.



TYPICAL SPILLWAY SECTION (ADDITIONAL CONCRETE)  
(ALTERNATE PS-1)  
N.T.S.



TYPICAL SPILLWAY SECTION (OVERLAY AND ANCHORS)  
(ALTERNATE PS-2)  
N.T.S.



TYPICAL CONTROL TOWER SECTION  
(ALTERNATE LD-1)  
N.T.S.

# Hinckley Lake Fishing

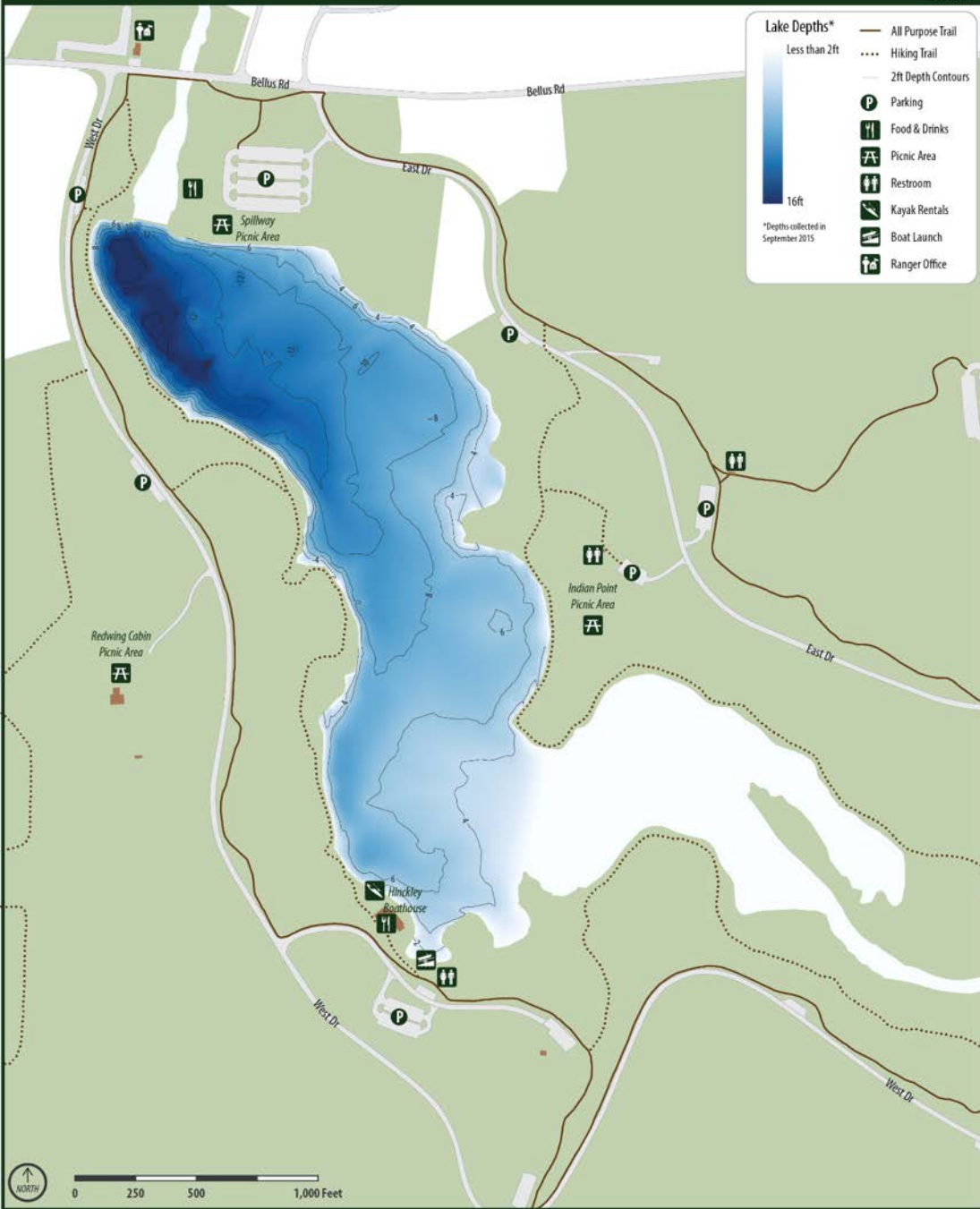
## Lake Depths\*

Less than 2ft



\*Depths collected in September 2015

- All Purpose Trail
- .... Hiking Trail
- 2ft Depth Contours
- P Parking
- 🍷 Food & Drinks
- 🌳 Picnic Area
- ♿ Restroom
- 🚣 Kayak Rentals
- 🚤 Boat Launch
- 👮 Ranger Office



Redwing Cabin  
Picnic Area

Spillway  
Picnic Area

Indian Point  
Picnic Area

Hinckley  
Boathouse

